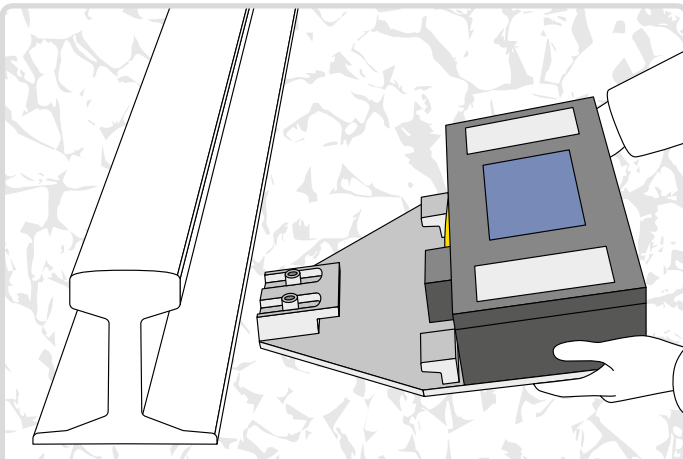
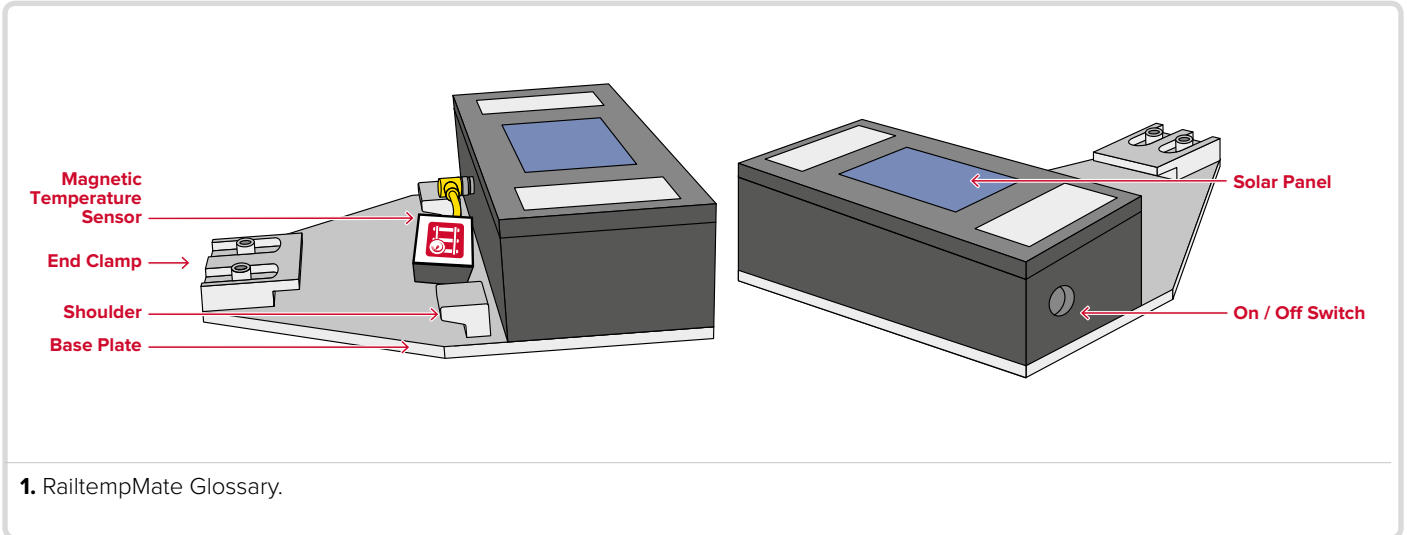


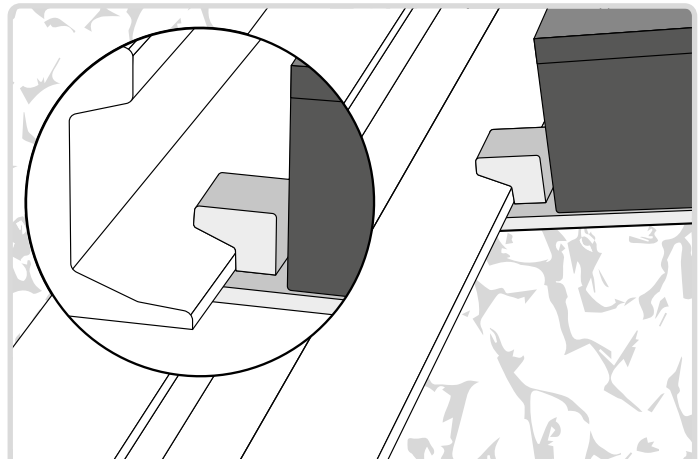


RailtempMate

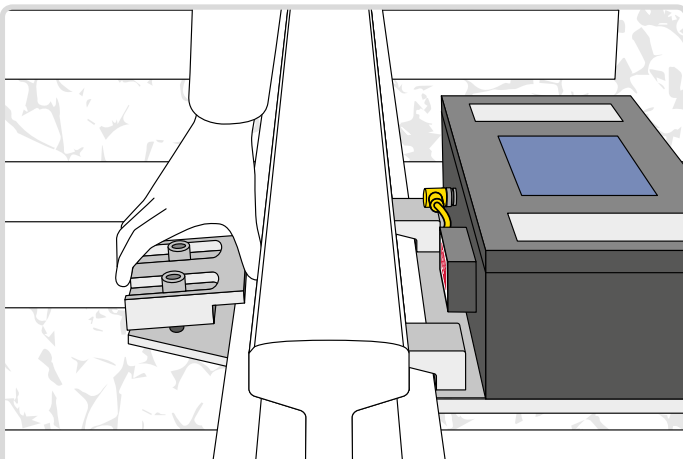
CRT MONITOR



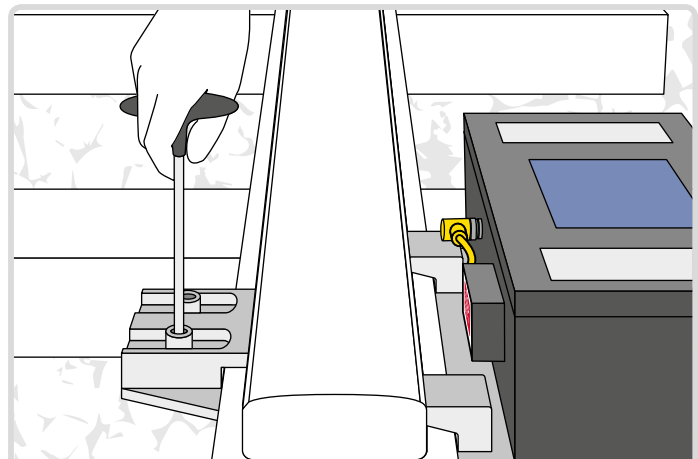
2. Create a small void in the ballast between sleepers and slide the RailtempMate under the rail.



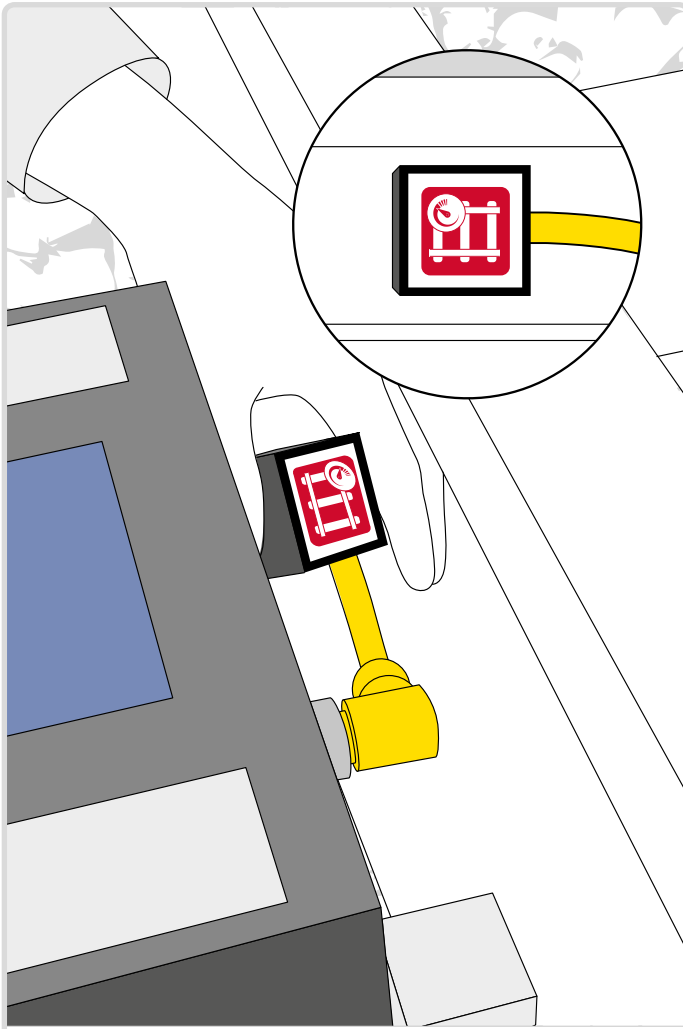
3. Ensure the RailtempMate base is flush under the rail. The bracket should sit on the foot of the rail as shown.



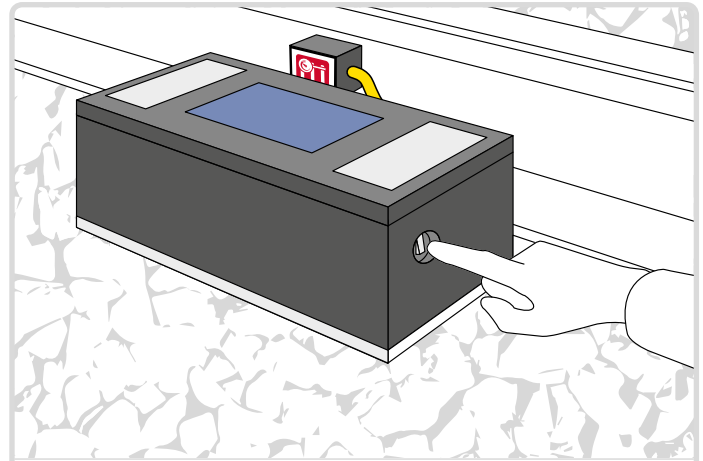
4. Slide clamp over the foot of the rail.



5. Tighten the bolts on the clamp repetitively and alternatively using the M10 Allen key until secure.



6. Relocate Temperature Sensor from the RailtempMate and attach to the rail web.



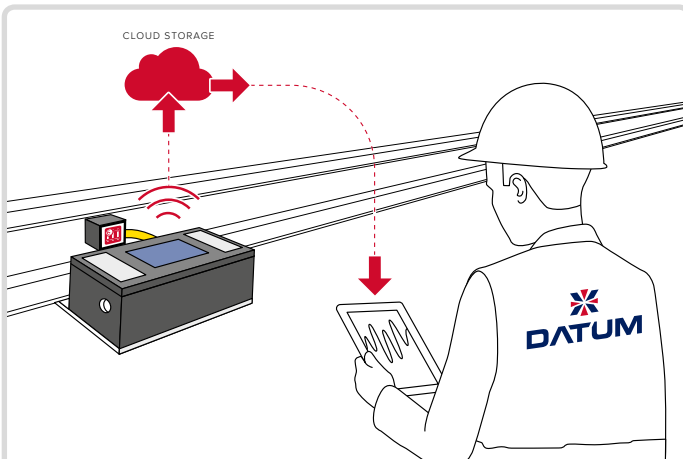
7. Once fitted switch RailtempMate on.


**Call Datum
24/7 Helpline:
0845 600 2511**

- Serial Number
- Company Name
- Site Location
- Alarm Limit
- Alarm Recipients



8. Call Datum 24/7 Helpline to ensure RailtempMate is connected. Provide them with the information listed.



9. The RailtempMate will continuously stream information via Platform Interactive.

Removing the RailtempMate

1. Switch off the RailtempMate.
2. Relocate magnetic Temperature Sensor and attach to RailtempMate body.
3. Loosen and open the end clamp.
4. Remove the RailtempMate.

CONTACT DETAILS

Head Office

Datum House
The Pavilions
Bridge Hall Lane
Bury, Lancashire
United Kingdom
BL9 7NX



+44 (0) 161 797 5511



info@datummonitoring.com



www.datummonitoring.com



@TheDATUMGroup



@DatumMonitoring

